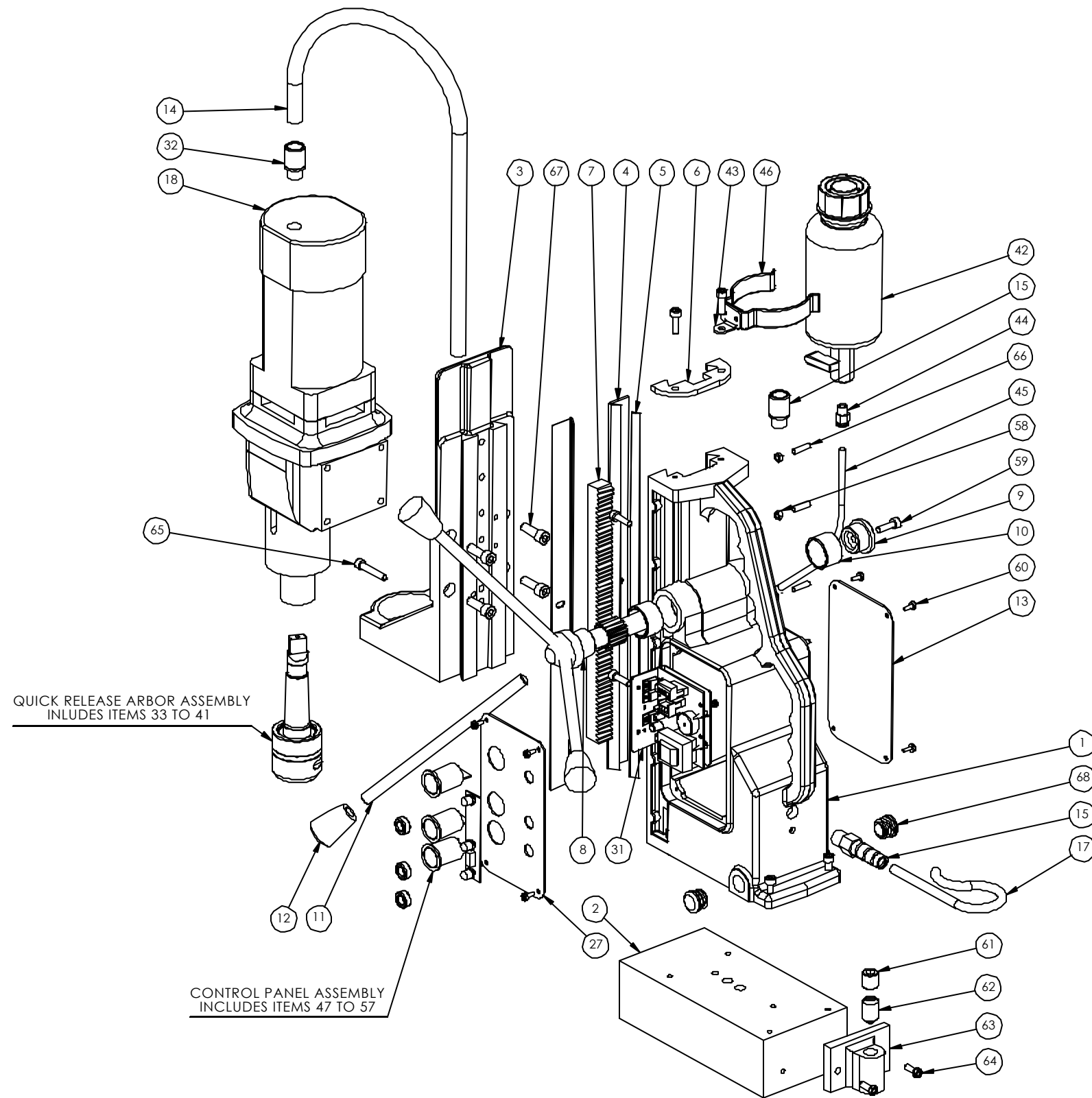


FIRST ANGLE PROJECTION DO NOT SCALE IF IN DOUBT - ASK

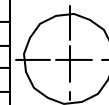
COPYRIGHT (C)1998, UDCE Ltd. 43 CATLEY ROAD, DARNALL, SHEFFIELD, S9 5JF
THIS DRAWING MAY NOT BE REPRODUCED OR COPIED IN PART OR WHOLE,
WITHOUT THE EXPRESS PERMISSION OF UDCE Ltd.



ISSUE	DESCRIPTION	DATE

ITEM NO	PART NO	DESCRIPTION	QTY
1	M0005BLU	MT50 BODY (CAPRI BLUE)	1
2	M0033	MAGNET BASE (LARGE)	1
3	20355	EIBENSTOCK CRADLE	1
4	M0103	BRASS RAIL (MT50)	2
5	M0442	G.F.S. (MT50)	1
6	M0813	TOP PLATE (MAGTRON DOVETAIL)	1
7	M0833	RACK (MT50)	1
8	M0042	PINION - MAGTRON (LARGE)	1
9	M0071	PINION END CAP (SHALLOW)	1
10	M0081	BUSH (PINION)	2
11	20346	HANDLE (12mm LARGE)	3
12	10082	HANDLE KNOB (12mm KNOCK ON)	3
13	M0224	WARNING PLATE (MT50)	1
14	M0443	CONDUIT (MAGTAP M13)	1
15	10231	M16 STRAIN RELIEF CABLE GLAND	1
16	40026	M16 PUSH FIT GLAND	1
17	10237-1	CABLE YELLOW (110V)	1
18	EIB03	EIBENSTOCK UNI111 DRILL - 110V	1
19	STRAP01	POLYESTER WEBBING SAFETY STRAP	1
20	KEY01	ALLEN KEY 2.5MM	1
21	KEY03	ALLEN KEY 4MM	1
22	KEY04	ALLEN KEY 5MM	1
23	DRIF02	DRIFT (No.3 M/TAPER)	1
24	CASE14	CARRYING CASE UNIBOR - PLASTIC	1
25	BOX01	BOX (UNIBOR SLEEVE)	1
26	VISO10	SAFETY GUARD (UNI 3)	1
27	M0242N	LARGE MAGTRON SWITCH PLATE NEW	1
28	10093	M6 X 35 GUARD THUMB SCREW	2
29	10094	M6 GUARD SPACER	2
30	10089	LARGE 2 LEG GUARD GUIDE	2
31	MM1-17	PCB SUPPORT PLATE	1
32	40025	PG9 PUSH FIT GLAND	1
33	ARBQR03-A	EIBENSTOCK Q/R UNI3 ARBOR BODY	1
34	10205A	ARBOR EJECTION PLUG (M/TAPER)	1
35	SPR101	ARBOR SPRING (M/TAPER)	1
36	ARBQR-02	QUICK RELEASE ARBOR COLLAR	1
37	ARBQR-03	QUICK REL ARBOR LOCK SHOE	1
38	ARBQR-04	Q/RELEASE COLLAR SPRING	1
39	ARBQR-05	QUICK REL ARBOR TOR SPRING	2
40	ARBQR-06	20MM O/D X 4MM NITRILE O RING	1
41	CCP-38V	38OD V INTERNAL CIRCLIP	1
42	30046	LARGE OIL CUP ASSEMBLY	1
43	10060	OIL FEED BRACKET	1
44	50015A	1/8" BSP - 6MM PUSH FIT CONNEC	2
45	50013A	6mm OIL PIPE (OIL FEED ASSY)	1
46	10076	OIL CUP RETAINING CLIP	1
47	MM1-1	MM1 MAGNET BUTTON - YELLOW	1
48	MM1-2	MM1 MOTOR BUTTON - GREEN	1
49	MM1-10	MM1 POWER BUTTON - RED	1
50	MM1-3	MM1 L.E.D. GROMMET	3
51	MM1-4	MM1 LED BOARD - C/W LEDs	1
52	MM1-5	MM1 REPLACEMENT PCB	1
53	MM1-6	MM1 3 PIN PLUG	1
54	MM1-7	MM1 4 PIN PLUG	1
55	MM1-11	MM1 HEAT CONDUCTOR	3
56	MM1-16	STAND OFF CLIP FOR NEW PANEL	3
57	MM1-13	NEW PANEL INSULATING BUSH	2
58	M5-NUT	M5 NUT	5
59	SC620CAP	M6 x 20 CAP SCREW	9
60	SC3TAP	M3 SELF TAPPING SCREW	8

TITLE	SCALE	1:7	ISSUE	1	DIMENSIONS IN MILLIMETERS	
EQ100 QUICK RELEASE DRILL EXPLODED VIEW	DRAWN BY	L. STOREY	DATE	01/08/05	NO DECIMAL PLACE	±0.25
	APPROVED BY		DATE		ONE DECIMAL PLACE	±0.10
	DWG NUMBER	EQ100			TWO DECIMAL PLACES	±0.05
					ANGULAR	±1.00°
					SURFACE FINISH	3.2 ✓



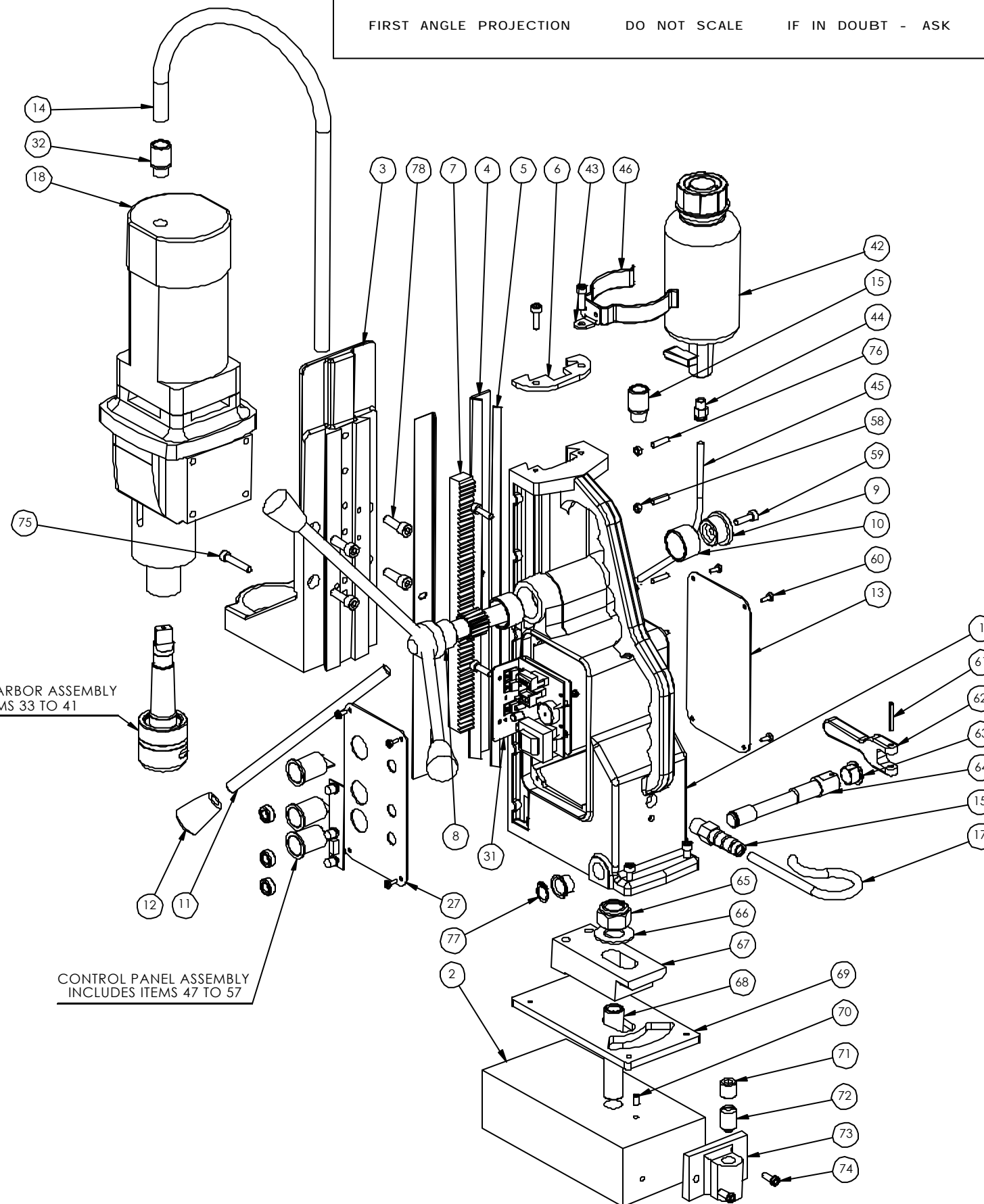
universal
43 Catley Road, Darnall, Sheffield, England. S95JF

Drilling & Cutting
EQUIPMENT LIMITED

Tel.+44(0)114 2911000. Fax.+44(0)1142425905

FIRST ANGLE PROJECTION DO NOT SCALE IF IN DOUBT - ASK

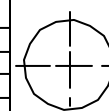
COPYRIGHT (C)1998, UDCE Ltd. 43 CATLEY ROAD, DARNALL, SHEFFIELD, S9 5JF
THIS DRAWING MAY NOT BE REPRODUCED OR COPIED IN PART OR WHOLE,
WITHOUT THE EXPRESS PERMISSION OF UDCE Ltd.



ISSUE	DESCRIPTION	DATE

ITEM NO	PART NO	DESCRIPTION	QTY
1	M0005BLU	MT50 BODY (CAPRI BLUE)	1
2	M0036	LARGE SWIVEL BASE	1
3	20355	EIBENSTOCK CRADLE	1
4	M0103	BRASS RAIL (MT50)	2
5	M0442	G.F.S. (MT50)	1
6	M0813	TOP PLATE (MAGTRON DOVETAIL)	1
7	M0833	RACK (MT50)	1
8	M0042	PINION - MAGTRON (LARGE)	1
9	M0071	PINION END CAP (SHALLOW)	1
10	M0081	BUSH (PINION)	2
11	20346	HANDLE (12mm LARGE)	3
12	10082	HANDLE KNOB (12mm KNOCK ON)	3
13	M0224	WARNING PLATE (MT50)	1
14	M0443	CONDUIT (MAGTAP M13)	1
15	10231	M16 STRAIN RELIEF CABLE GLAND	1
16	40026	M16 PUSH FIT GLAND	1
17	10237-1	CABLE YELLOW (110V)	1
18	EIB03	EIBENSTOCK UNI111 DRILL - 110V	1
19	STRAP01	POLYESTER WEBBING SAFETY STRAP	1
20	KEY01	ALLEN KEY 2.5MM	1
21	KEY03	ALLEN KEY 4MM	1
22	KEY04	ALLEN KEY 5MM	1
23	DRIF02	DRIFT (No.3 MTAPER)	1
24	CASE14	CARRYING CASE UNIBOR - PLASTIC	1
25	BOX01	BOX (UNIBOR SLEEVE)	1
26	VISO10	SAFETY GUARD (UNI 3)	1
27	M0242N	LARGE MAGTRON SWITCH PLATE NEW	1
28	10093	M6 X 35 GUARD THUMB SCREW	2
29	10094	M6 GUARD SPACER	2
30	10089	LARGE 2 LEG GUARD GUIDE	2
31	MM1-17	PCB SUPPORT PLATE	1
32	40025	PG9 PUSH FIT GLAND	1
33	ARBQR03-A	EIBENSTOCK Q/R UNI3 ARBOR BODY	1
34	10205A	ARBOR EJECTION PLUG (MTAPER)	1
35	SPR01	ARBOR SPRING (MTAPER)	1
36	ARBQR-02	QUICK RELEASE ARBOR COLLAR	1
37	ARBQR-03	QUICK REL ARBOR LOCK SHOE	1
38	ARBQR-04	Q/RELEASE COLLAR SPRING	1
39	ARBQR-05	QUICK REL ARBOR TOR SPRING	2
40	ARBQR-06	20MM O.D. X 4MM NITRILE O RING	1
41	CCP-38V	380D V INTERNAL CIRCLIP	1
42	30046	LARGE OIL CUP ASSEMBLY	1
43	10060	OIL FEED BRACKET	1
44	50015A	1/8" BSP - 6MM PUSH FIT CONNEC	2
45	50013A	6mm OIL PIPE (OIL FEED ASSY)	1
46	10076	OIL CUP RETAINING CLIP	1
47	MM1-1	MM1 MAGNET BUTTON - YELLOW	1
48	MM1-2	MM1 MOTOR BUTTON - GREEN	1
49	MM1-10	MM1 POWER BUTTON - RED	1
50	MM1-3	MM1 L.E.D. GROMMET	3
51	MM1-4	MM1 LED BOARD - CW LEDs	1
52	MM1-5	MM1 REPLACEMENT PCB	1
53	MM1-6	MM1 3 PIN PLUG	1
54	MM1-7	MM1 4 PIN PLUG	1
55	MM1-11	MM1 HEAT CONDUCTOR	3
56	MM1-16	STAND OFF CLIP FOR NEW PANEL	3
57	MM1-13	NEW PANEL INSULATING BUSH	2
58	M5-NUT	M5 NUT	5
59	SC620CAP	M6 x 20 CAP SCREW	9
60	SC3TAP	M3 SELF TAPPING SCREW	8

TITLE	SCALE	1:1	ISSUE	1	DIMENSIONS IN MILLIMETERS
EQ100S QUICK RELEASE DRILL EXPLODED VIEW	DRAWN BY	L. STOREY	DATE	01/08/05	NO DECIMAL PLACE ±0.25
	APPROVED BY		DATE		ONE DECIMAL PLACE ±0.10
	DWG NUMBER	EQ100S			TWO DECIMAL PLACES ±0.05
					ANGULAR ±1.00°
					SURFACE FINISH 3.2 ✓

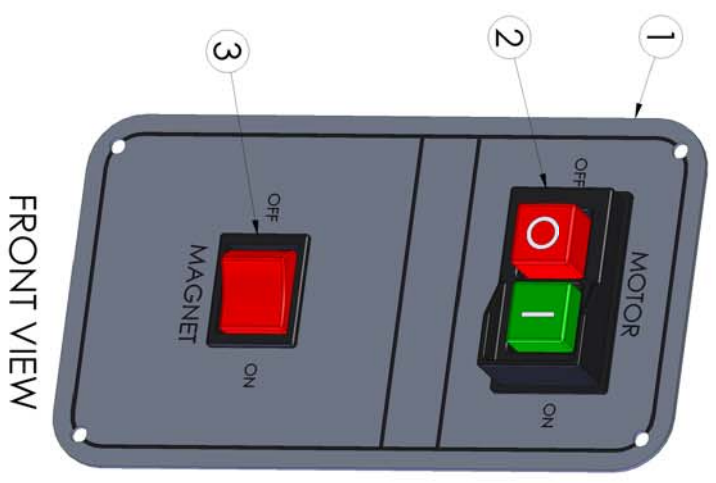


universal
43 Catley Road, Darnall, Sheffield, England. S95JF

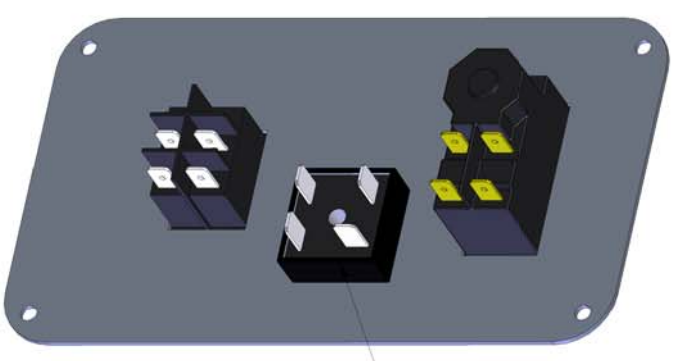
Drilling & Cutting
EQUIPMENT LIMITED

Tel.+44(0)114 2911000. Fax.+44(0)1142425905

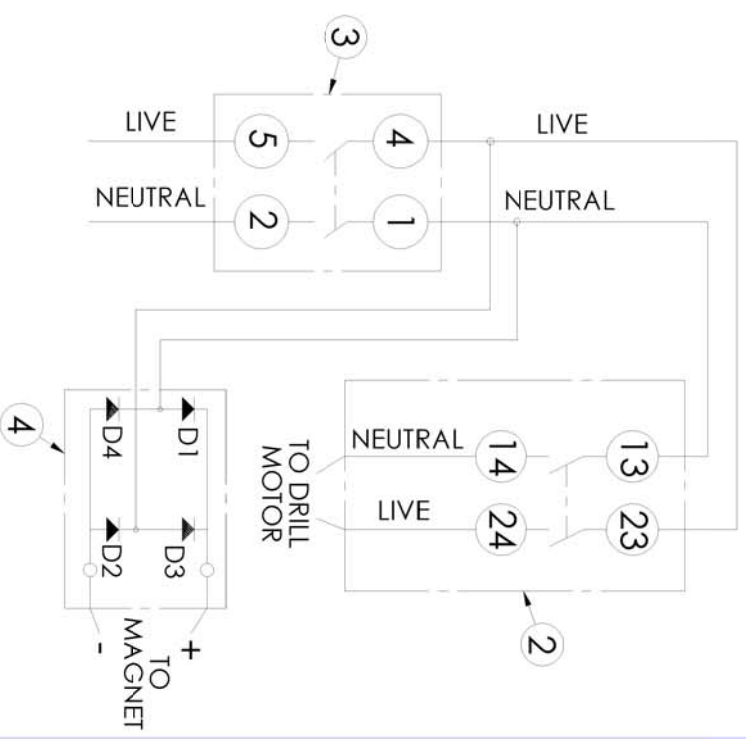
ISSUE	DESCRIPTION	DATE



FRONT VIEW



REAR VIEW



ITEM NO.	QTY.	PART NO.	DESCRIPTION
1	1	NCP013	NCP BLANK SWITCH PLATE - LARGE
2	1	NCP001	DRILL STOP/START SWITCH-120V
3	1	NCP006	MAGNET SWITCH-NCP PANEL
4	1	M0401	25A-BRIDGE RECTIFIER

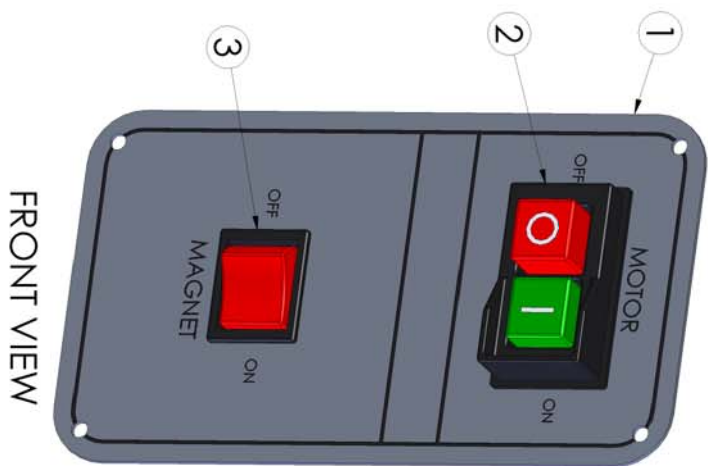
NOTES:
 1. ITEM 4 TO BE BONDED TO REAR OF PLATE

TITLE	SCALE	NTS	ISSUE
COMPONENT PARTS LIST AND WIRING SCHEMATIC FOR LARGE NCP PANEL 110V	DRAWN BY	M/KAWE	DATE 13.01.07
	APPROVED BY		DATE
	DWG. NUMBER	PANELNCP07	

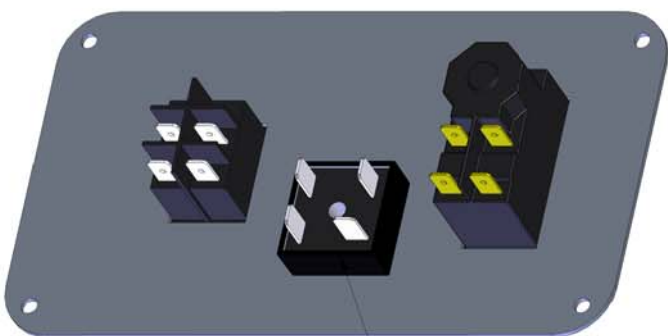
universal
 43 Catley Road, Darnall, Sheffield, England, S9 5JF
 Tel:+44(0)114 2911000. Fax:+44(0)1142425905

Drilling & Cutting
EQUIPMENT LIMITED

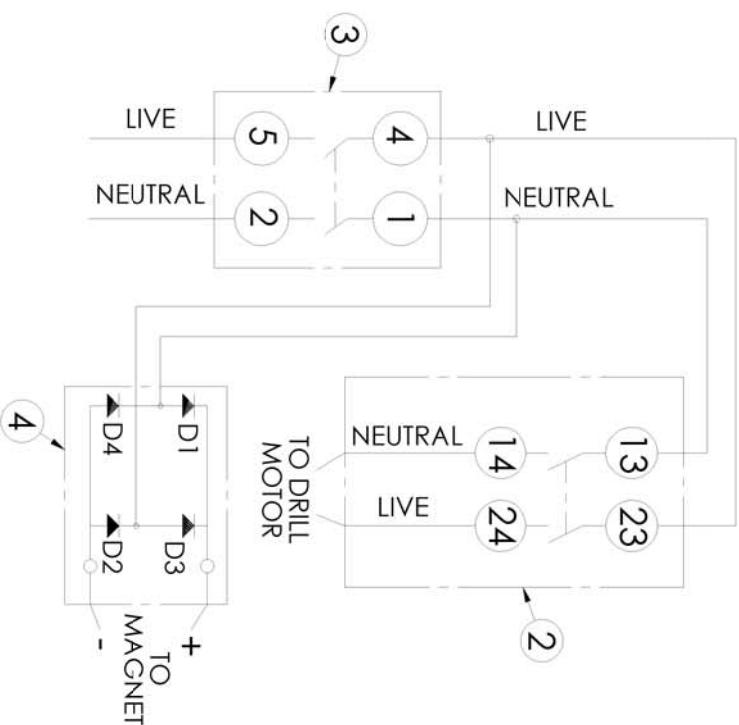
ISSUE	DESCRIPTION	DATE



FRONT VIEW



REAR VIEW



ITEM NO.	QTY.	PART NO.	DESCRIPTION
1	1	NCP013	NCP BLANK SWITCH PLATE - LARGE
2	1	NCP002	DRILL STOP/START SWITCH-230V
3	1	NCP006	MAGNET SWITCH-NCP PANEL
4	1	M0401	25A-BRIDGE RECTIFIER

NOTES:
 1. ITEM 4 TO BE BONDED
 TO REAR OF PLATE

TITLE	SCALE	NTS	ISSUE
COMPONENT PARTS LIST AND WIRING SCHEMATIC FOR LARGE NCP PANEL 240V	DRAWN BY APPROVED BY DWG. NUMBER	M.KAYE	1 13.01.07



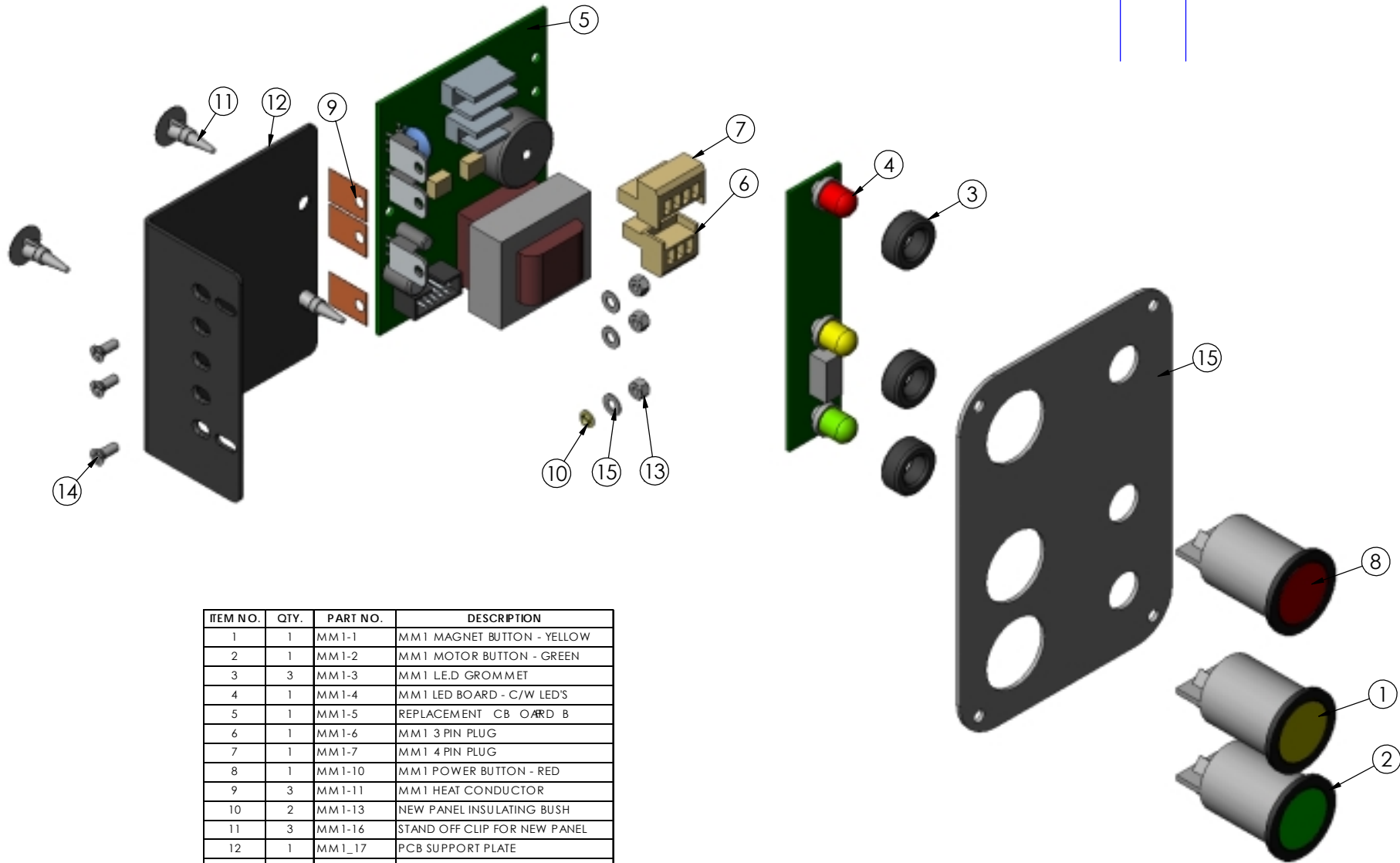
Universal
 43 Catley Road, Darnall, Sheffield, England. S9 5JF

Drilling & Cutting
EQUIPMENT LIMITED
 Tel:+44(0)114 2911000. Fax:+44(0)1142425905

FIRST ANGLE PROJECTION DO NOT SCALE IF IN DOUBT - ASK

COPYRIGHT (C)1998, UDCE Ltd. 43 CATLEY ROAD, DARNALL, SHEFFIELD, S9 5JF
THIS DRAWING MAY NOT BE REPRODUCED OR COPIED IN PART OR WHOLE,
WITHOUT THE EXPRESS PERMISSION OF UDCE Ltd.

ISSUE	DESCRIPTION	DATE



ITEM NO.	QTY.	PART NO.	DESCRIPTION
1	1	MM1-1	MM1 MAGNET BUTTON - YELLOW
2	1	MM1-2	MM1 MOTOR BUTTON - GREEN
3	3	MM1-3	MM1 LED GROMMET
4	1	MM1-4	MM1 LED BOARD - C/W LED'S
5	1	MM1-5	REPLACEMENT PCB BOARD B
6	1	MM1-6	MM1 3 PIN PLUG
7	1	MM1-7	MM1 4 PIN PLUG
8	1	MM1-10	MM1 POWER BUTTON - RED
9	3	MM1-11	MM1 HEAT CONDUCTOR
10	2	MM1-13	NEW PANEL INSULATING BUSH
11	3	MM1-16	STAND OFF CLIP FOR NEW PANEL
12	1	MM1_17	PCB SUPPORT PLATE
13	3	NUT-M3	M3 NYLOC NUT
14	3	SC36CSK-X	M3 X 6 C'SINK CROSS HEAD SCREW
15	1	-	PANEL FACIA PLATE

TITLE	SCALE	N.T.S	ISSUE	1	DIMENSIONS IN MILLIMETERS
PANEL COMPONENT BREAKDOWN	DRAWN BY	M.KAYE	DATE	21.05.06	NO DECIMAL PLACE ±0.25
	APPROVED BY		DATE		ONE DECIMAL PLACE ±0.10
	DWG NUMBER	PANELP			TWO DECIMAL PLACES ±0.05
					ANGULAR ±1.00°
					SURFACE FINISH 3.2 ✓



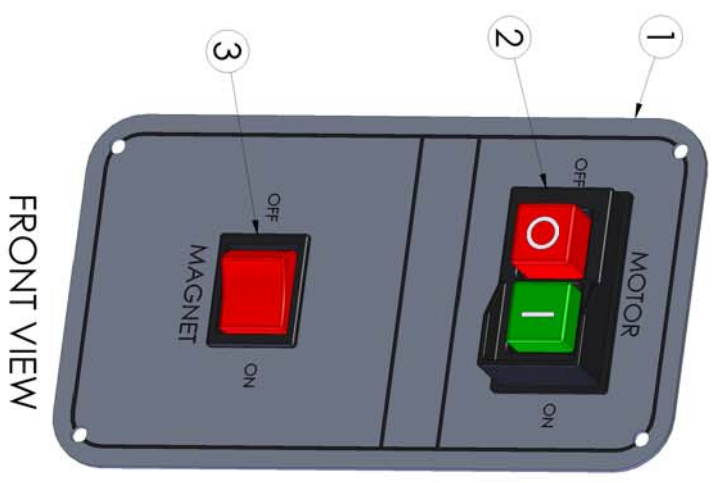
universal

43 Catley Road, Darnall, Sheffield, England. S95JF

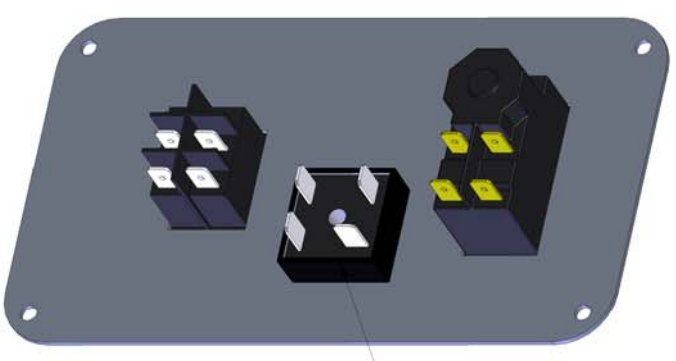
Drilling & Cutting
EQUIPMENT LIMITED

Tel.+44(0)114 2911000. Fax.+44(0)1142425905

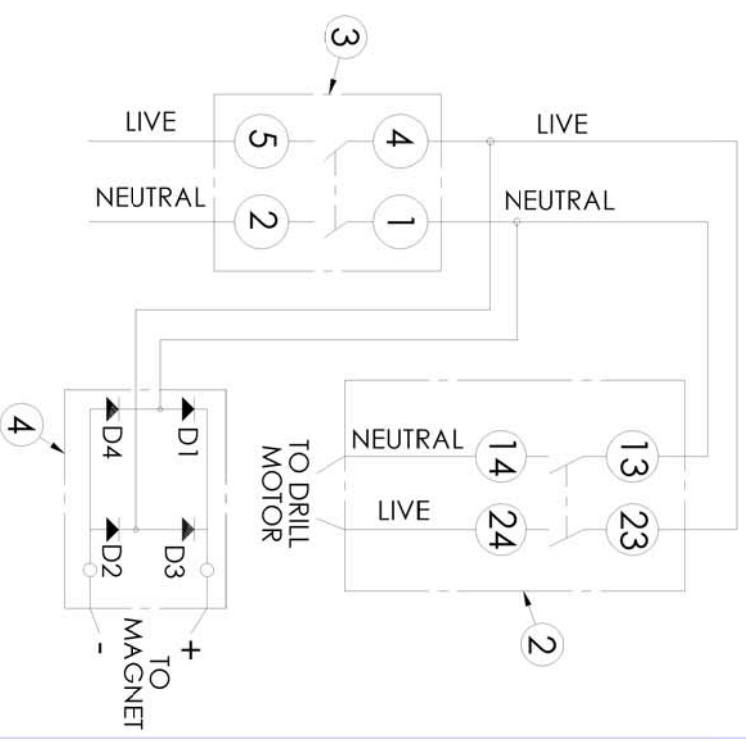
ISSUE	DESCRIPTION	DATE



FRONT VIEW



REAR VIEW



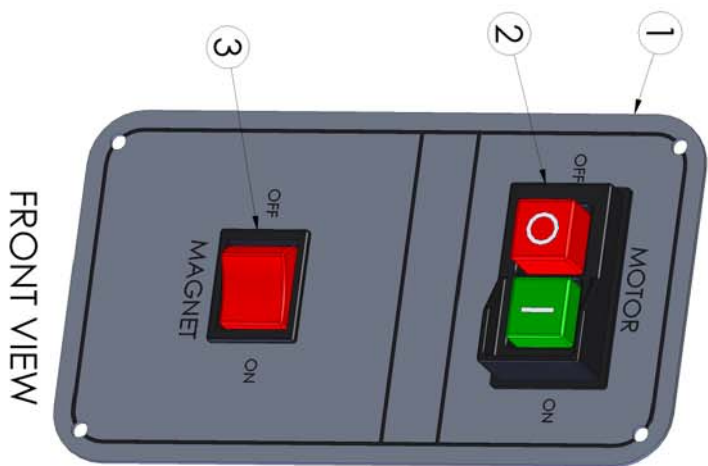
ITEM NO.	QTY.	PART NO.	DESCRIPTION
1	1	NCP013	NCP BLANK SWITCH PLATE - LARGE
2	1	NCP001	DRILL STOP/START SWITCH-120V
3	1	NCP006	MAGNET SWITCH-NCP PANEL
4	1	M0401	25A-BRIDGE RECTIFIER

NOTES:
 1. ITEM 4 TO BE BONDED
 TO REAR OF PLATE

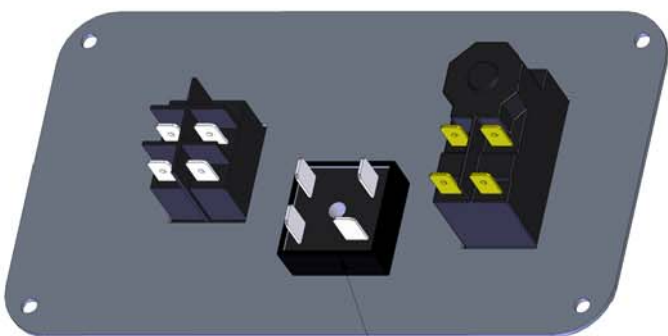
TITLE	SCALE	NTS	ISSUE
COMPONENT PARTS LIST AND WIRING SCHEMATIC FOR LARGE NCP PANEL 110V	DRAWN BY APPROVED BY	M.KAYE	DATE 13.01.07
DWG NUMBER	PANELING P07		

Universal
 Drilling & Cutting
 EQUIPMENT LIMITED
 43 Catley Road, Darnall, Sheffield, England, S9 5JF
 Tel:+44(0)114 2911000. Fax:+44(0)1142425905

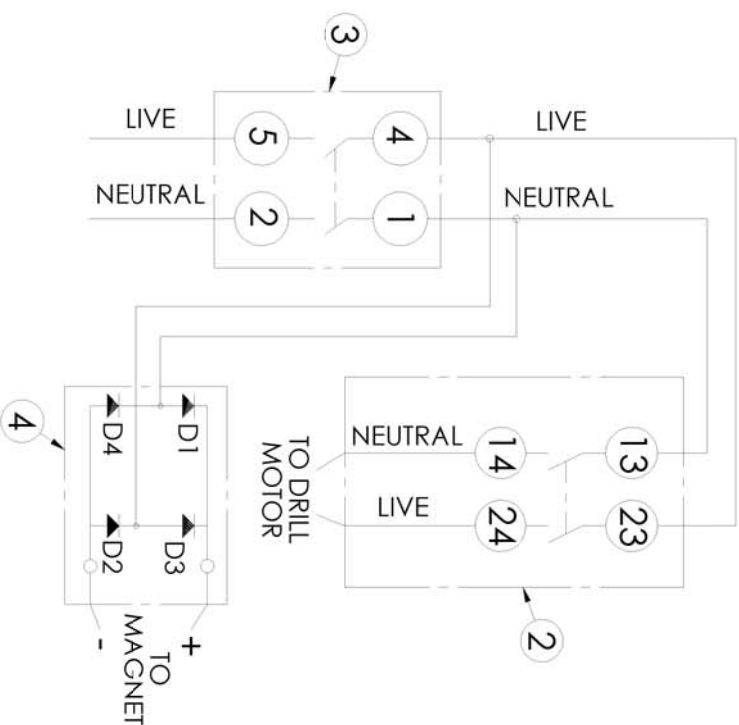
ISSUE	DESCRIPTION	DATE



FRONT VIEW



REAR VIEW



ITEM NO.	QTY.	PART NO.	DESCRIPTION
1	1	NCP013	NCP BLANK SWITCH PLATE - LARGE
2	1	NCP002	DRILL STOP/START SWITCH-230V
3	1	NCP006	MAGNET SWITCH-NCP PANEL
4	1	M0401	25A-BRIDGE RECTIFIER

NOTES:
 1. ITEM 4 TO BE BONDED
 TO REAR OF PLATE

TITLE	SCALE	NTS	ISSUE
COMPONENT PARTS LIST AND WIRING SCHEMATIC FOR LARGE NCP PANEL 240V	DRAWN BY APPROVED BY DWG. NUMBER	M.KAYE	1 13.01.07