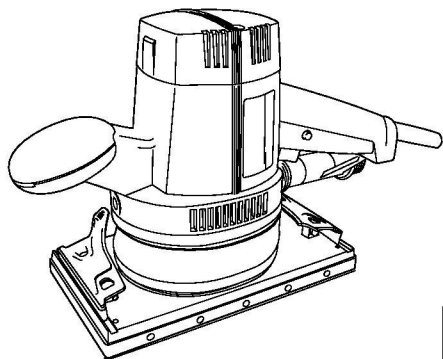


# FELISATTI



**TP115/300**

**TP115/350VE**

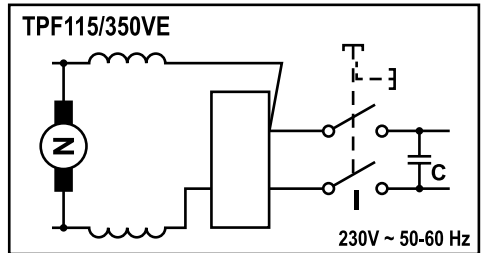
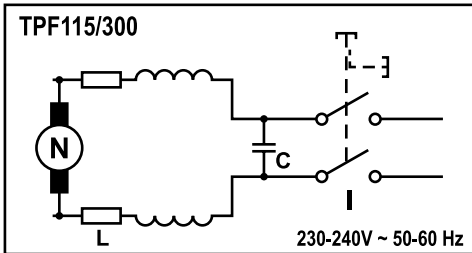
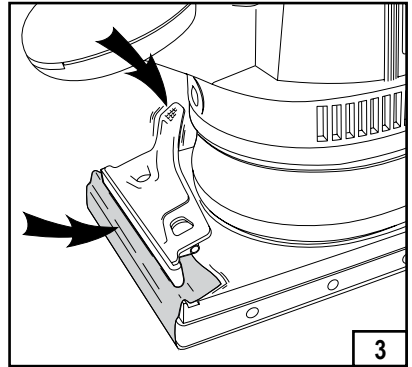
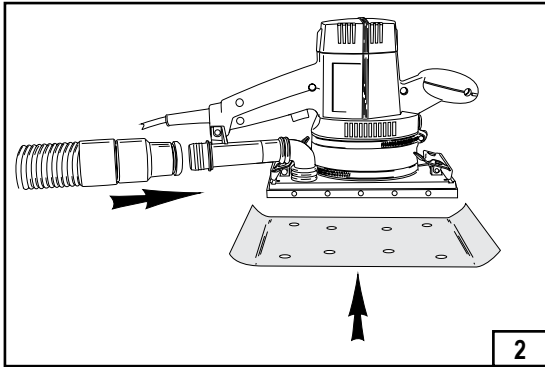
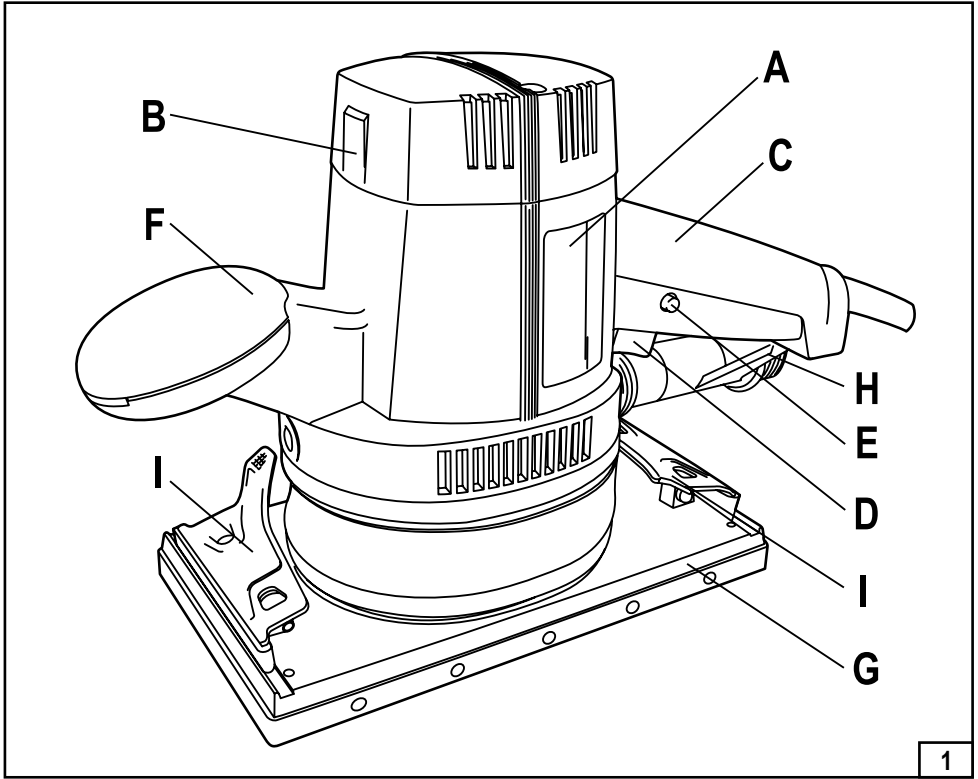
- EN** Operating Instructions
- ES** Instrucciones de servicio
- FR** Mode d'emploi
- IT** Istruzioni per l'uso
- DE** Bedienungsanleitung
- RU** Руководство по эксплуатации

**ROTARY DRILL**  
**TALADRADORA**  
**PERCEUSE**  
**TRAPANO**  
**BOHRMASCHINE**  
**МАШИНА РУЧНАЯ ЭЛЕКТРИЧЕСКАЯ**  
**СВЕРЛИЛЬНАЯ**



Опубликовано на сайте [www.rem-5.ru](http://www.rem-5.ru)





## OPERATING INSTRUCTIONS FOR ORBITAL SANDER INTRODUCTION

All FELISATTI portable tools conform with standard EN60745, 98/37/EC machine directives and following modifications, with 2006/95/EC, 93/68/EEC and, with regard to electromagnetic compatibility, the tools conform with directive EEC/89/336, and with standards EN55014.1, EN 55014.2, EN 61000.3.2, EN 61000.3.3 and EN 50366.

**CE** The mark on the tool guarantees its conformity.

If used with the care and serviced regularly, this tool will provide long-lasting and reliable service. Carefully follow the instructions contained in this manual, using them for reference for any eventual controls that may need to be carried out.

## TECHNICAL DATA

## 1.1 TECHNICAL DATA

MODEL		TPF115/350	TPF115/350VE
Voltage and current	V / A	230V-1,6A	230V-2,4A
Frequency	Hz	50-60	
Absorbed power	W	300	350
Unloaded speed	/min	10000	6500
Full-load speed	/min	6000	6000
Oscillation unloaded	/min	20000	13000
Orbit	mm	2	4,5
Pad dimensions	mm	115x210	115x210
Weight	kg	2,9	2,9
Sound pressure emitted	L <sub>pa</sub> dB(A).(*)	75	70,4
Sound power emitted	L <sub>wa</sub> dB(A).(*)	86	83,4
Vibration level m/sl (*)	mm	4,3	4,9
* Surveys carried out according to standards: EN60745.1 - EN60745.2.4			

## 1.1 STANDARD EQUIPMENT

TPF115/350VE-TPF115/350: Suction unit pipe union.

The series fittings may vary according to the model purchased and the actual commercial situation.

## 1.2 ACCESSORIES AVAILABLE ON REQUEST

Abrasive paper, paper perforator, suction unit, suction unit kit (only for models programmed for suction unit use).

## 1.3 SAFETY STANDARDS

The tool has been designed and constructed to permit operation in all situations and in absolute safety. In particular working conditions remember to use protective gloves and safety goggles.

The tool has been designed and constructed to reduce noise to minimum levels. (See technical data 1.1). In particular working conditions the maximum sound level at the place of work may exceed 85 dBA. In this case the operator must use ear protectors. Work carefully and maintain the tool in perfect working order, for your own safety.

## GENERAL INFORMATION

## 1.0 THE AIM OF THIS MANUAL

This manual has been prepared by the Manufacturer as an integral part of the mitre saw equipment.

The information contained is for the benefit of professional operators.

This manual defines the purpose for which the mitre saw was designed, and contains all the information necessary to ensure safe and correct use. We therefore recommend reading the manual carefully before proceeding to any form of adjustment, operation or maintenance. Constant respect for the contents of this manual ensures both machine and operator safety and the most economical and longest working life of the machine itself. Photographs and drawings have been supplied by the manufacturer for exemplifying purposes; with the aim of following a policy of constant development and product modernisation, the

manufacturer is entitled to make modifications without forewarning.

## 1.1 TOOL IDENTIFICATION

The plate located on the left hand side of the tool identifies the model, the data plate located on the right hand side of the tool contains the model references, the technical specifications of the motor and the constructor.

## 1.1.1 IDENTIFICATION

- A Logotype plate
- B Data plate
- C Principal handgrip
- D Switch
- E Switch locking push-button
- F Supplementary handgrip
- G Base (Pad)
- H Suction

I Abrasive paper fixing clamp

## 1.2 MANUFACTURER – IDENTIFICATION

Interskol Power Tools S.L.  
Carretera de Sant Joan de les Abadesses  
s/n17500 RIPOL. (Girona), SPAIN  
Tel +34972700200 - Fax +34972700554  
E-mail: e-mail: felisatti@interskol.es

## GENERAL SAFETY STANDARD

**WARNING! Read all instructions. Failure to follow all instructions listed below may result in electric shock, fire and/or serious injury.**

The term "power tool" in all of the warnings listed below refers to your mains operated (corded) power tool or battery operated (cordless) power tool.

## SAVE THESE INSTRUCTIONS

- 1) WORK AREA
  - a) Keep work area clean and well lit. Cluttered and dark areas invite accidents.
  - b) Do not operate power tools in explosive atmospheres, such

as in the presence of flammable liquids, gases or dust. Power tools create sparks which may ignite the dust or fumes.

c) Keep children and bystanders away while operating a power tool. Distractions can cause you to lose control.

## 2) ELECTRICAL SAFETY

a) Power tool plugs must match the outlet. Never modify the plug in any way. Do not use any adapter plugs with earthed (grounded) power tools. Unmodified plugs and matching outlets will reduce risk of electric shock.

b) Avoid body contact with earthed or grounded surfaces such as pipes, radiators, ranges and refrigerators. There is an increased risk of electric shock if your body is earthed or grounded.

c) Do not expose power tools to rain or wet conditions. Water entering a power tool will increase the risk of electric shock.

d) Do not abuse the cable. Never use the cable for carrying, pulling or unplugging the power tool. Keep cable away from heat, oil, sharp edges or moving parts. Damaged or entangled cables increase the risk of electric shock.

e) When operating a power tool outdoors, use an extension cable suitable for outdoor use. Use of a cable suitable for outdoor use reduces the risk of electric shock.

## 3) PERSONAL SAFETY

a) Stay alert, watch what you are doing and use common sense when operating a power tool. Do not use a power tool while you are tired or under the influence of drugs, alcohol or medication. A moment of inattention while operating power tools may result in serious personal injury.

b) Use safety equipment. Always wear eye protection. Safety equipment such as dust mask, non-skid safety shoes, hard hat, or hearing protection used for appropriate conditions will reduce personal injuries.

c) Avoid accidental starting. Ensure the switch is in the off position before plugging in. Carrying power tools with your finger on the switch or plugging in power tools that have the switch on invites accidents.

d) Remove any adjusting key or wrench before turning the power tool on. A wrench or a key left attached to a rotating part of the power tool may result in personal injury.

e) Do not overreach. Keep proper footing and balance at all times. This enables better control of the power tool in unexpected situations.

f) Dress properly. Do not wear loose clothing or jewellery. Keep your hair, clothing and gloves away from moving parts. Loose clothes, jewellery or long hair can be caught in moving parts.

g) If devices are provided for the connection of dust extraction and collection facilities, ensure these are connected and properly used. Use of these devices can reduce dust related hazards.

## 4) POWER TOOL USE AND CARE

a) Do not force the power tool. Use the correct power tool for your application. The correct power tool will do the job better and safer at the rate for which it was designed.

b) Do not use the power tool if the switch does not turn it on and off. Any power tool that cannot be controlled with the switch is dangerous and must be repaired.

c) Disconnect the plug from the power source before making any adjustments, changing accessories, or storing power tools. Such preventive safety measures reduce the risk of starting the power tool accidentally.

d) Store idle power tools out of the reach of children and do not allow persons unfamiliar with the power tool or these instructions to operate the power tool. Power tools are dangerous in the hands of untrained users.

e) Maintain power tools. Check for misalignment or binding of moving parts, breakage of parts and any other condition that

may affect the power tools operation. If damaged, have the power tool repaired before use. Many accidents are caused by poorly maintained power tools.

f) Keep cutting tools sharp and clean. Properly maintained cutting tools with sharp cutting edges are less likely to bind and are easier to control.

g) Use the power tool, accessories and tool bits etc., in accordance with these instructions and in the manner intended for the particular type of power tool, taking into account the working conditions and the work to be performed. Use of the power tool for operations different from intended could result in a hazardous situation.

## 5) SERVICE

a) Have your power tool serviced by a qualified repair person using only identical replacement parts. This will ensure that the safety of the power tool is maintained.

## INSTALLATION

### 1.1 PACKAGING

This tool is sold complete with accessories and the user's manual, contained in a cardboard box (or in a metal case) of suitable size and thickness for the work that the tool is intended for. This container should be kept as it will prove useful for your work.

### 1.2 INSTALLATION

The environmental conditions, temperature, humidity, lighting, the correct dislocation of your tool and the cleanliness of the place of work are important conditions for personal safety and tool performance. These factors should always be kept under control in order to improve working conditions and ensure safety.

### 1.3 ELECTRICAL CONNECTION

Before connecting the power tool to the mains or to the isolation transformer, make sure that it complies with local norms and that the voltage and the frequency correspond to those indicated on the machine data plate.

When using extension leads, make sure that the cable cross section is suited to the cable length. If extension leads on reels are used, make sure that they are completely unwound to avoid the risk of overheating.

### ATTENTION!

**The switch on this tool is fitted with a locking device, allowing the tool to be operated for long periods of time without interruptions.**

**Before inserting the plug into the socket, check that the switch is in the unlocked position.**

### ATTENTION!

**When the tool is not to be used for long periods remember to leave the switch device in the unlocked position.**

### 4.4 PLACE OF WORK

The tool that you have purchased is a portable electric power tool.

Only one user should operate this tool, given its shape, weight and maneuverability.

Normal use requires that both of the operator's hands are firmly kept on the two handgrips.

### Attention!

**Always keep hands a safe distance away from the pad!**

## REGULATION

The tool is already regulated according to standard parameters by the constructor when supplied.

## OPERATION AND USE

### 1.1 CONSTANT ELECTRONIC CONTROL

The TPF115/350VE machines is equipped with an electronic circuit that maintains constant motor revolutions in all working situations, guaranteeing optimal working conditions.

### 1.2 APPLICATIONS

As a result of the r.p.m. and constant electronic control mechanisms, the TPF115/350VE is particularly suitable for metal filler sanding and vehicle bodywork.

### 1.3 USE AND APPLICATION

The tool is supplied ready for use it is only necessary to insert the abrasive paper onto the pad.

Pre-punched abrasive paper, or normal paper to be punched with the paper punch supplied, can be applied (for the AS models with shavings extraction). In order to fix the abrasive paper, proceed as follows (fig. 2-3):

- 1) Open one fixing clamp and insert the sheet of abrasive paper into the exact position.
- 2) Position the sheet of abrasive paper on the base of the tool.
- 3) Open the second clamp and insert the other edge of the sheet of abrasive paper.

Check that the sheet is firmly secured and that it completely covers the base of the tool.completely covers the base of the tool.

#### Attention!

**Excessive pressure on the handgrip does not necessarily result in higher sanding speed, on the contrary, it can provoke motor overloading and less efficient operation.**

### 1.4 ABRASIVE PAPER

Only use good quality abrasive paper as this will improve the sanding efficiency and reduce working time.

Use coarse grade (40-60-80) sanding sheets for when large quantities of material require to be removed.

For finishing operations use 150 to 320 grade sanding sheets.

### 1.5 SHAVINGS SUCTION UNITS (FIG. 2-3)

Felisatti AS22 and AS35/E dust suction units have been designed to keep working areas clean and free from dust.

The AS35/E model is remote-controlled by means of the switch on the electric power tool, that can be connected by simply inserting the plug into the socket located on the dust suction unit, thus avoiding wasting time and energy.

Always remember to empty the dust suction bag, it could fill up and in that way make working operations less efficient.

Felisatti suction units can also be used for these tools.

### 1.6 IMPROPER USE

The functions and use of this tool are those exclusively indicated in this manual.

**ANY OTHER USE OF THE TOOL IS EXPLICITLY FORBIDDEN !**

### 1.7

#### ATTENTION!

**Contact with or inhalation of the processing dust may be dangerous for the operator and for anyone who is in the vicinity.**

Particular care must be taken when smoothing wood or surfaces painted with lead paint due to the dangerous dust produced. It is recommended to use safety goggles and anti-dust masks.

the tool from the power supply and clean carefully.

### 7.1 DISPOSAL

At the end of the machine's working life, or when it can no longer be repaired, ensure that it is disposed of according to the standard regulations of the country in which it is being used, and that the disposal operation is carried out by specialized personnel following authorized guidelines.

In all circumstances:

- Do not abandon in the environment;
- Do not dispose of together with solid urban waste products;
- Contact the special recycling centers.

## PARTS REPLACEMENT

#### Attention!

**Disconnect the plug from the power supply socket before replacing any parts.**

### 1.1 BRUSHES

The brushes must be replaced after approx. 150-200 working hours, or if they are less than 5-6 mm in length.

#### Attention!

**For correct tool operation always change the brushes in pairs, not separately. The use of original Felisatti spare parts is recommended.**

#### Attention!

**This operation should only be performed by an authorized service center.**

**ATTENTION: After fitting new brushes allow the motor to run idle for 5 minutes.**

### 1.2 REPLACING THE POWER SUPPLY CABLE

Check that the power supply cable is in good condition, if not have it replaced by an authorized service center.

## MAINTENANCE

Regular inspection reduces the necessity for maintenance operations and will keep your tool in good working condition. The tool bearings are life-long lubricated. The motor must be correctly ventilated during tool operation. For this reason avoid blocking the air inlets with hands. After use, disconnect

GB



**Do not dispose of electric tools  
in the household waste!**

In accordance with European Directive 2002/96/EC relating to old electrical and electronic appliances and its translation into national law, used electric tools must be collected separately and recycled in an ecologically desirable way.



**DECLARATION OF CONFORMITY**

We hereby declare, under our sole responsibility, that the FELISATTI brand products described in this manual comply with the following standards or standard documents: EN60745, 98/37/EC machine directives and following modifications, with 2006/95/EC, 93/68/EEC and, with regard to electromagnetic compatibility, the tools conform with directive EEC/89/336, and with standards EN55014.1, EN 55014.2, EN 61000.3.2, EN 61000.3.3 and EN 50366.

Jordi Carbonell

Santiago Lopes

---

We reserve the right to make technical changes 06/2011

Interskol Power Tools S.L.  
Carretera de Sant Joan de les Abadesses s/n17500 RIPOLL, (Girona), SPAIN

Tel +34972700200

Fax +34972700554

e-mail: [felisatti@interskol.es](mailto:felisatti@interskol.es)