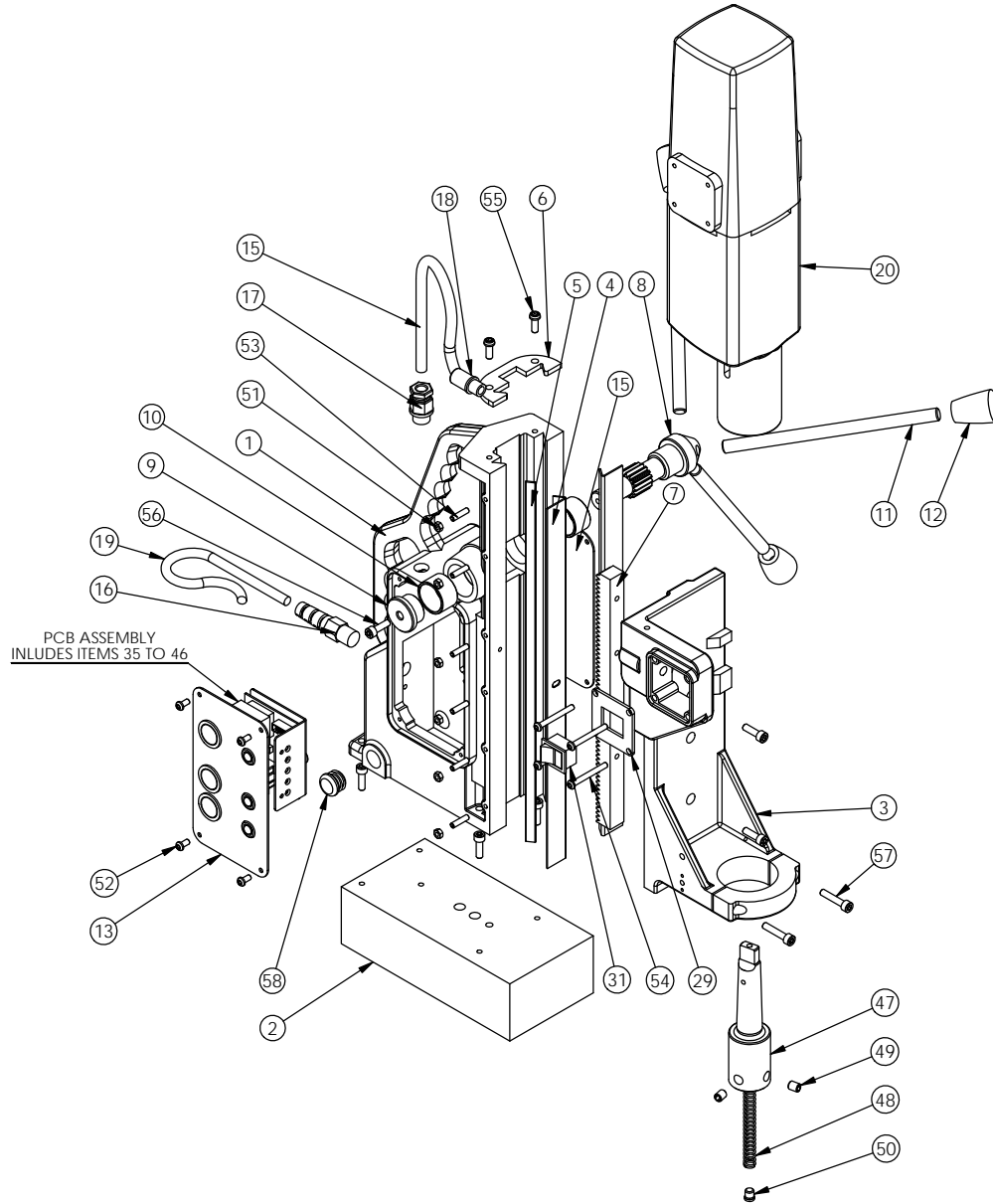


FIRST ANGLE PROJECTION DO NOT SCALE IF IN DOUBT - ASK

COPYRIGHT (C)1998, UDCE Ltd, 43 CATLEY ROAD, DARNALL, SHEFFIELD, S9 5JF
THIS DRAWING MAY NOT BE REPRODUCED OR COPIED IN PART OR WHOLE,
WITHOUT THE EXPRESS PERMISSION OF UDCE Ltd.

ISSUE	DESCRIPTION	DATE



ITEM NO	PART NO	DESCRIPTION	QTY
1	M0005BLU	MT50 BODY (CAPRI BLUE)	1
2	M0033	MAGNET BASE (LARGE)	1
3	RM315	CRADLE (7 SERIES)	1
4	M0103	BRASS RAIL (MT50)	2
5	M0442	G.F.S. (MT50)	1
6	M0813	TOP PLATE (MAGTRON DOVETAIL)	1
7	M0833	RACK (MT50)	1
8	M0042	PINION - MAGTRON (LARGE)	1
9	M0071	PINION END CAP (SHALLOW)	1
10	M0081	BUSH (PINION)	2
11	20346	HANDLE (12mm LARGE)	3
12	10082	HANDLE KNOB (12mm KNOCK ON)	3
13	M0242B	A100 SWITCH PLATE	1
14	M0224B	S60MT/E 100S WARNING PLATE	1
15	10096	CONDUIT (GREY 10mm)	1
16	10231	M16 STRAIN RELIEF CABLE GLAND	1
17	20354	CABLE GLAND (M16)	1
18	40021	CABLE GLAND (PG7)	1
19	10237-1	CABLE YELLOW (110V)	1
20	AEG03	AEG B4-32 MOTOR -110V	1
21	STRAP01	OLYESTER WEBBING SAFETY STRA	1
22	OIL09	COOLCUT 500ML OIL BOTTLE	1
23	KEY01	ALLEN KEY 2.5MM	1
24	KEY03	ALLEN KEY 4MM	1
25	KEY04	ALLEN KEY 5MM	1
26	DRIF02	DRIFT (No.3 M/TAPER)	1
27	CASE14	CARRYING CASE UNIBOR - PLASTIC	1
28	BOX01	BOX (UNIBOR SLEEVE)	1
29	M0049	SRM CRADLE SWITCH MOUNT PLA	1
30	VISO12	LARGE ATLAS COPCO GUARD	1
31	RM220	2 SPEED SWITCH ROTAMAG	1
32	10093	M6 X 35 GUARD THUMB SCREW	2
33	10094	M6 GUARD SPACER	2
34	10089	LARGE 2 LEG GUARD GUIDE	2
35	MM1-17	PCB SUPPORT PLATE	1
36	MM1-1	MM1 MAGNET BUTTON - YELLOW	1
37	MM1-2	MM1 MOTOR BUTTON - GREEN	1
38	MM1-3	MM1 L.E.D. GROMMET	3
39	MM1-10	MM1 POWER BUTTON - RED	1
40	MM1-4	MM1 LED BOARD - CW LEDs	1
41	MM1-5	MM1 REPLACEMENT PCB	1
42	MM1-6	MM1 3 PIN PLUG	1
43	MM1-7	MM1 4 PIN PLUG	1
44	MM1-11	MM1 HEAT CONDUCTOR	3
45	MM1-16	STAND OFF CLIP FOR NEW PANEL	3
46	MM1-13	NEW PANEL INSULATING BUSH	2
47	ARBO03-A	NO 3 MT ARBOR BODY	1
48	SPRI01	ARBOR SPRING (M/TAPER)	1
49	10073	M10 X 10 SET SCREW (FLAT POINT)	2
50	10205A	ARBOR EJECTION PLUG (M/TAPER)	1
51	NUT45	M5 NUT	6
52	SCS10BUT	M5 x 10 BUTTON HEAD SCREW	8
53	SCS25GRUB	M5 x 25 GRUB SCREW	6
54	SCS45BUT	M5 x 45 BUTTUN HEAD SCREW	4
55	SC616BUT	M6 x 16 BUTTON HEAD SCREW	2
56	SC620CAP	M6 x 20 CAP HEAD SCREW	7
57	SC630CAP	M6 x 30 CAP HEAD SCREW	2
58	M0062	BLANKING PLUG	2

TITLE	SCALE	1:7	ISSUE	1	DIMENSIONS IN MILLIMETERS	
A100 ASSEMBLY EXPLODED VIEW	DRAWN BY	L. STOREY	DATE	03/08/05	NO DECIMAL PLACE	±0.25
	APPROVED BY		DATE		ONE DECIMAL PLACE	±0.10
	DWG NUMBER	A100			TWO DECIMAL PLACES	±0.05
					ANGULAR	±1.00°
					SURFACE FINISH	3.2



universal

43 Catley Road, Darnall, Sheffield, England. S95JF

Drilling & Cutting
EQUIPMENT LIMITED

Tel. +44(0)114 2911000. Fax. +44(0)1142425905